



AMSC

V2.1



About Clarity



- Founded in 1998 by two PHD's. Dr. Gail Erten, one of the founders, serves in a technical advisory capacity.
- Core management team put in place in 2000
- DCX UConnect handsfree system 2002 – first CVC enabled HFK product in market.
- Clarity is the strongest independent noise/echo cancellation and speech enhancement company in the world.
- Current staff size of 35 people of which >75% are technical.



Award Winning Technology



- IEEE Darlington Award
 - 2001 – Best Supporting Technology Software
 - 2002 – Best Industrial/Professional Product
 - 2003 – Best Supporting Technology Software
- The Telematics Update Awards 2003
- SpeechTek 2002 – Best Input Device Solution
- Michigan Economic Development Council
 - 2000 Commercialization and Success Award
 - 2002 Commercialization and Success Award



Broad Market Applications



Automotive



Wireless



Consumer



Medical



Military & Security



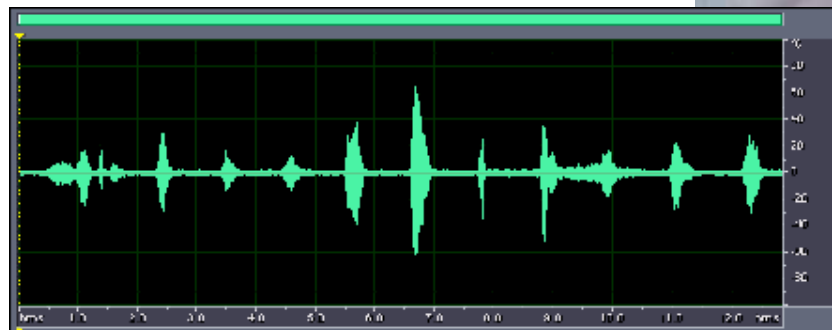
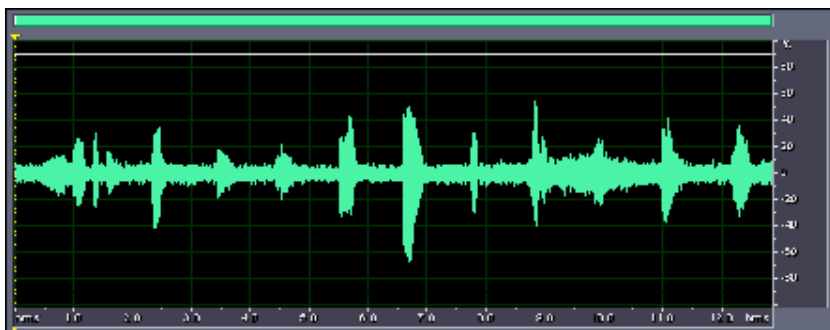
Industrial



Office Automation



CVC - Noise Suppression



Features

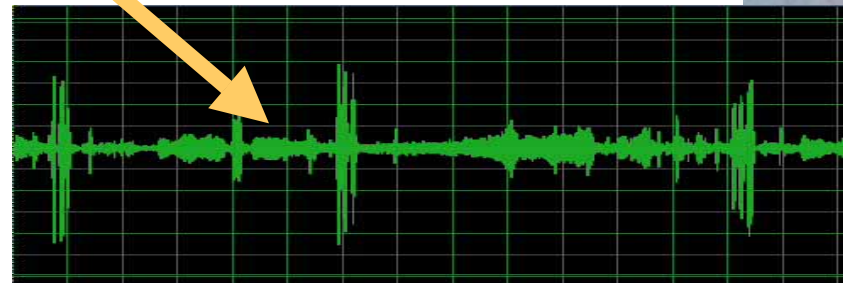
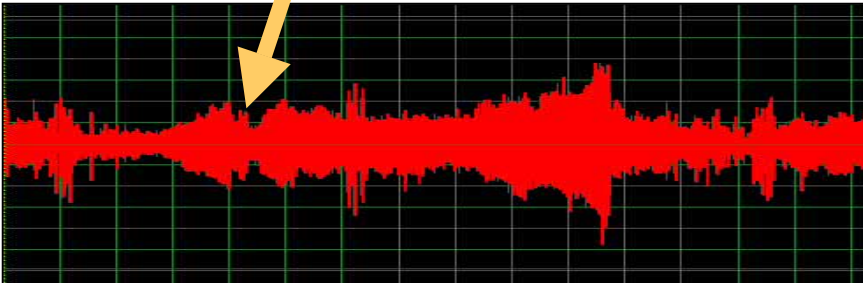
- Enables noise reduced communication
- Reduces listener fatigue
- Self adapting
- Microphone independent
- Fast converging
- No noise floor artifacts
- Preserved natural speech quality
- Enhances vocoder performance



Extreme Noise Communication



22 dB Noise
Suppression



Features

- Reduces noise in extreme conditions
- Self adapting
- Microphone independent
- Fast converging



Acoustic Echo Cancellation

Far-End (in his office)
Hears his own voice
echo in his ear

Near-End Talker
(in the car) double
talks w/ Far-End

Far-End talker is still speaking but
his echo is removed and the Near-
End is heard loud & clear



No CVC – HFK Processing

With CVC – HFK Processing

Features

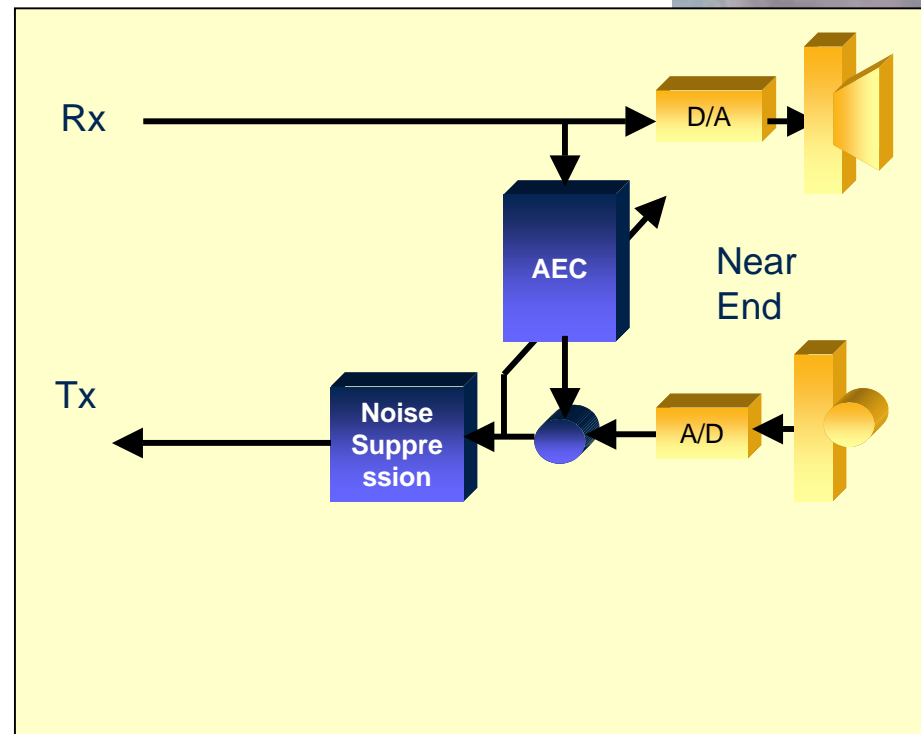
- Full Duplex
 - Enables natural, two conversation
- Self Tuning
 - Software controlled double talk detection
- Microphone Independent
- Fast Converging
 - Robust against volume changes
 - Robust against fast changing acoustic paths



CHF Specifications

Features

- **Full Duplex**
 - Enables natural, two conversation
- **Self Tuning**
 - Software controlled double talk detection
- **Microphone Independent**
- **Fast Converging**
 - Robust against volume changes
 - Robust against fast changing acoustic paths
- **Adaptive Noise Suppression**
 - No noise floor artifacts
 - Preserved natural speech quality
 - Enhances vocoder performance



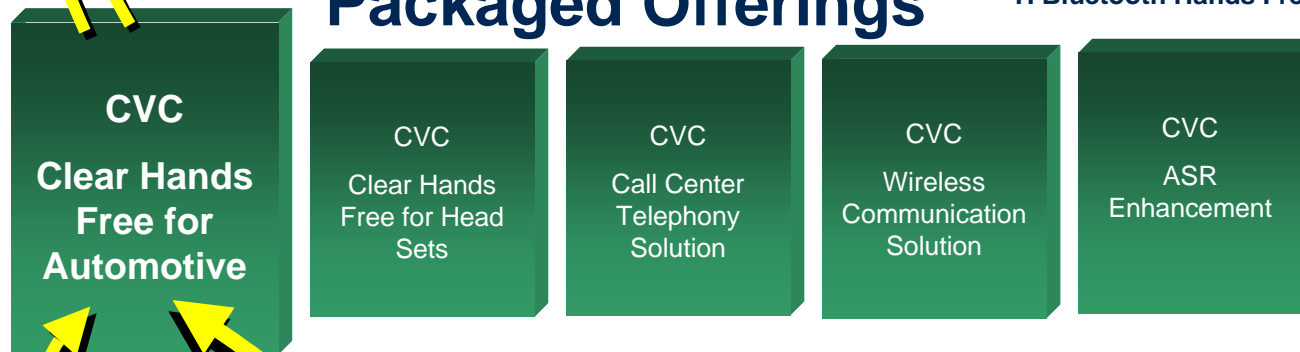
Technologies and Products

Solutions



TI Bluetooth Hands Free Reference Design

Packaged Offerings



Foundational Components



お問い合わせ先

(株) アムスク ソフトウェアグループ

〒180-8534
東京都武蔵野市中町1-15-5
三鷹高木ビル 3F
Tel : 0422-54-7100
Fax : 0422-37-2549
E-mail : clarity@amsc.co.jp

