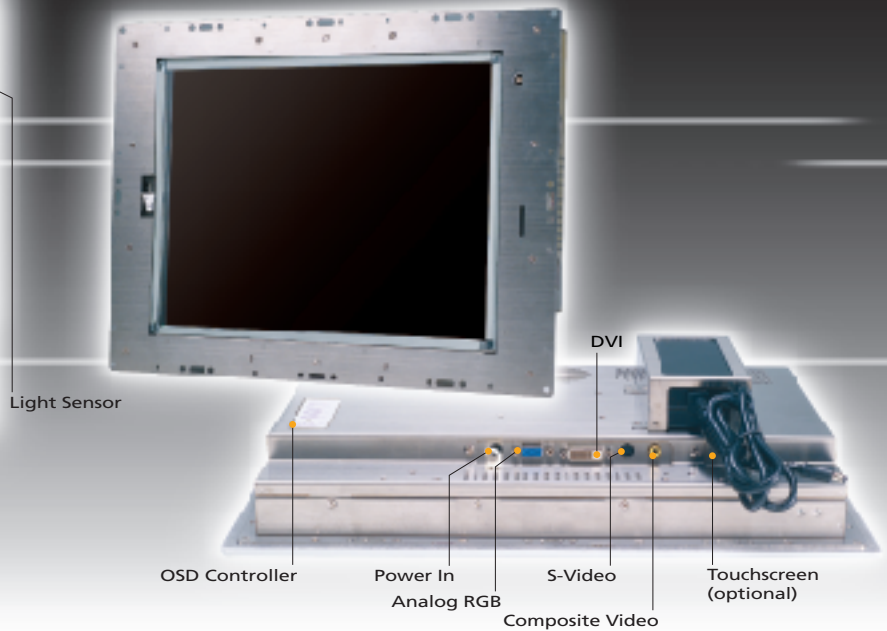


15" Sunlight Readable Display Monitor

IP65 certified

▼ PD8500 series
15" Open Frame Display Monitor



▲ **Close Frame Display Monitor**
15" Open Frame Display Monitor
with Optional Aluminium Bezel

Features

- Sunlight, Daylight Readable LCD
- 1000 nits brightness
- Stainless steel open-frame architecture
- Front Panel with bezel is IP65 certified
- OSD (On Screen Display) function for display adjustment
- Strengthened glass protects the screen from shock damage
- RGB, Composite video, S-Video, DVI selectable
- Automatic 8-level light sensor
- VESA 75mm standard screw holes
- Resistive touchscreen (optional)
- Aluminum front bezel (optional)

LCD Specifications

Model	PD8500
Display type	15" color TFT LCD
Max. resolution	1024 x 768 (XGA)
Max. colors	16.7M
Dot size (mm)	0.297 x 0.297
Luminance (cd/m²)	1000
Viewing angle	170° (H)
	170° (V)
Operating temperature	0° ~ 45°C (32 ~ 113°F)
OSD	Yes
Back Light MTBF (Hrs)	25,000

Specifications

- **Construction** : Heavy-duty stainless steel chassis
- **Mounting** : Panel and Rear mount
Optional : Standard mount frame
Rack mount
Swivel ARM, Desk stand
- **Input signal** : RGB, Composite video, S-Video, DVI
- **Control** : OSD (On Screen Display) on rear panel
- **Power Supply** : External power adapter
- **OS support** : MS DOS, Windows 98/SE, Windows NT4.0, Windows 2000, Windows XP
- **Dimensions (W x H x D)** :
Without bezel : 428 x 320 x 58mm (16.9" x 12.6" x 2.3")
Standard bezel : 444 x 336 x 64mm (17.5" x 13.2" x 2.52")
Rack bezel : 483 x 355 x 64mm (19.0" x 14.0" x 2.52")
- **Carton Dimensions (W x H x D)** :
590 x 545 x 236mm (23.2" x 21.4" x 9.2")
- **Gross Weight** : 12.7Kg (28 lbs)

Environmental Specifications

- **Operating temperature** : 0° to 45°C (32° ~ 113°F)
- **Storage temperature** : -20° to 60°C (-4° ~ 140°F)
- **Storage humidity** : 10 to 95%@ 40°C, non-condensing, without touchscreen
- **Vibration** : 10 ~ 150Hz, 0.15mm 10 cycles 1G
- **Shock** : 30G peak acceleration (11 msec. duration)
- **EMC** : CE / FCC Class A

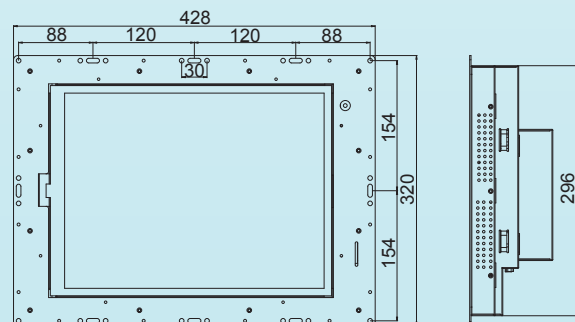
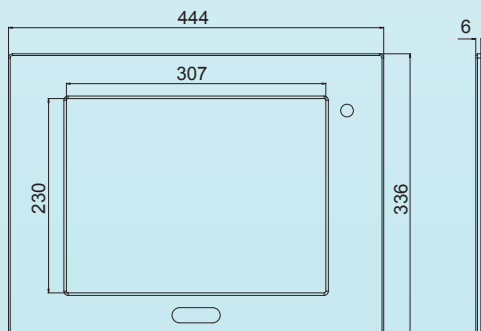
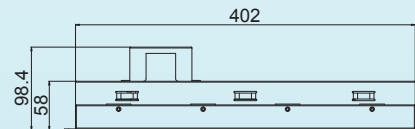
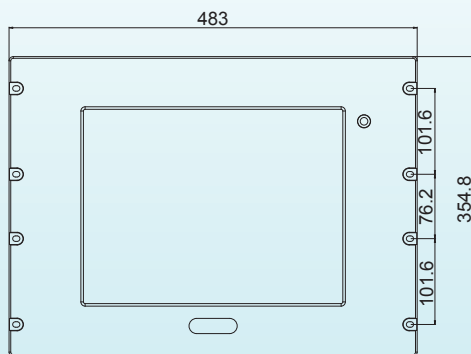
Touchscreen (optional)

- Type** : 5-wire, Analog Resistive
- Resolution** : 4096 x 4096
- Light transmission** : 80% ± 5
- Lifetime** : 100,916 hours
- Controller** : RS-232 interface

Dimension

PD8500

Unit:mm



Cutout Size:405*299mm

LCD Cutout Size:307*230mm