

5.25"

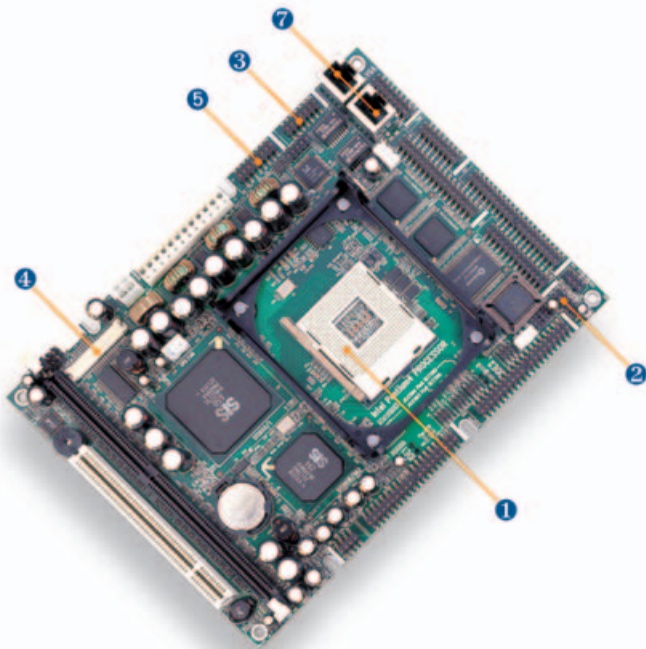
Mini Modules

Intel Pentium 4 Mini Module

ECM-5710

Features

- ① Supports Intel Pentium 4 Processors with Data Transfer Rate of 400 MHz
- ② Dual USB 2.0 Ports Onboard (Optional with SiS962)
- ③ Supports 2 x 400 Mbit IEEE1394A Ports (Optional with SiS962)
- ④ Supports CRT and 24-bit TFT Panels
- ⑤ Supports TV Output & Optional LVDS Interface
- ⑥ Integrated AC-97 2.2 Sound Blaster Compatible Audio
- ⑦ Dual 10/100Base-Tx Fast Ethernet Controllers Onboard
- ⑧ Supports Type I/II Compact Flash Storages



- **ACC-CFC-xx (page 9-8)**
Compact Flash Card Series
(xx = Capacity, Capacity Option: 8, 16, 32, 48, 64, 96, 128, 192, 256, 512 MB)

Ordering Information

- **ECM-5710**
Intel Pentium 4 5.25" Mini Module with LCD, LVDS, AGP 4X 3D Graphics, AC97 Audio, & Dual 10/100Base-Tx Ethernet
- **ECM-5710L**
Intel Pentium 4 5.25" Mini Module with LCD, LVDS, AGP 4X 3D Graphics, AC97 Audio, & Single 10/100Base-Tx Ethernet

Specifications

General Functions

- **CPU:** Supports Intel P4 series processors with data transfer rate of 400 MHz (optional 533 MHz with SiS651).
- **CPU Socket:** Intel FC-478
- **BIOS:** Award 256 KB Flash BIOS
- **Chipset:** SiS650 (optional SiS651)
- **I/O Chipset:** SiS961 (optional SiS962) & Winbond W83697UF
- **Memory:** Onboard one DDR SDRAM socket supports up to 512 Mbytes DDR 266 /200 SDRAM. (Supports DDR333/266/200 SDRAM if SiS651 is implemented)
- **Enhanced IDE:** Supports up to four IDE devices. Supports Ultra DMA/133 mode with data transfer rate up to 133 MB/sec. (20 x 2 header x 2 onboard)
- **FDD Interface:** Supports up to two floppy disk drives, 5.25" (360KB and 1.2MB) and/or 3.5" (720KB, 1.44MB and 2.88MB)
- **Parallel Port:** One bi-directional parallel port. Supports SPP, ECP, and EPP modes
- **Serial Port:** Three RS-232 and one RS-232C/422/485 serial port. Ports can be configured as COM1, COM2, COM3, COM4, or disabled individually. (16C550 equivalent)
- **IR interface:** Supports one IrDA Tx/Rx header
- **KB/Mouse Connector:** 8-pin (4 x 2) connector supports PC/AT keyboard and PS/2 mouse
- **USB Connectors:** Dual USB 1.0 ports onboard (optional USB2.0 with SiS962)
- **Watchdog Timer:** Can generate a system reset. Software selectable time-out interval (32 sec. ~ 254 min., 1 min./step)
- **Hardware Status Monitoring:** Monitoring system temperature, voltage, and cooling fan status. Auto throttling control when CPU overheats
- **Power Management:** Supports ATX power supply. Supports PC97, LAN wake up and modem ring-in functions. I/O peripheral devices support power saving and doze/standby/suspend modes. APM 1.2 compliant

IEEE1394 Interface (Optional with SiS962)

- **Chipset:** SiS962 integrated PCI 1394A Host Controller + Realtek RTL8801 IEEE1394A PHY
- **IEEE1394 interface:** Supports 2 x 400 Mbit IEEE1394 ports

Flat Panel/CRT Interface

- **Chipset:** SiS650 (Optional SiS651) integrated AGP high performance 256-bit GUI, 3D engine
- **Display Memory:** Programmable frame buffer size from 8 Mbytes to 64 MBytes
- **Display Type:** Simultaneously supports CRT and TFT displays
- **Interface:** Ultra-AGP II with 2GB/s bandwidth, Accelerator Graphics Ports 2.0 compliant

Display Mode:

- LCD panel supports up to 1280 x 1024 @ 32 bpp
- CRT displays support up to 2048 x 1536 @ 32 bpp

TV Output Interface

- **Chipset:** SiS301LV Video Bridge
- **TV Output Interface:** Supports both NTSC and PAL systems

LVDS Interface (Optional)

- **Chipset:** SiS301LV Video Bridge
- **LVDS Interface:** Maximum pixel rate 110 M pixels/sec. with 110 MHz pixel clock, 24/48-bit one/two pixel per clock

Audio Interface

- **Chipset:** SiS961 (Optional SiS962) integrated Audio controller with AC97 interface
- **AC97 Codec:** AD1881A
- **Audio Interface:** AC97 ver. 2.2 compliant interface. Supports Microphone in, Line in, CD audio in, Line out

Ethernet Interfaces

- **Chipset:** Dual Realtek 8139C or Intel 82550/82559/82559ER PCI-bus Ethernet controllers onboard
- **Ethernet Interfaces:** PCI 100/10 Mbps, IEEE 802.3U compatible
- **Remote Boot-ROM:** For diskless system

SSD Interface

- One CF+ socket supports Type I / II Compact Flash memory devices

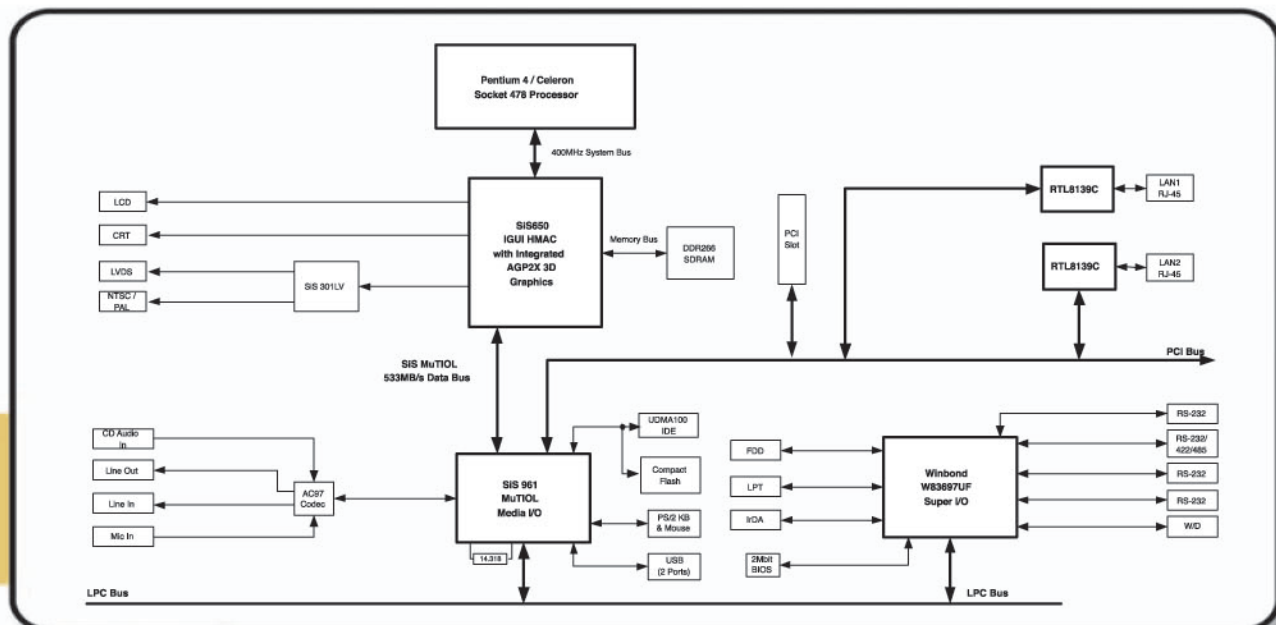
Expansion Interface

- One 32-bit PCI slot onboard

Mechanical and Environmental

- **Power Supply Voltage:** ATX type, +5V and +12V
- **Operating Temperature:** 32 to 140° F (0 to 60° C)
- **Board Size:** 8"(L) x 5.75"(W) (203mm x 146mm)

System Diagram



Applied computing solutions