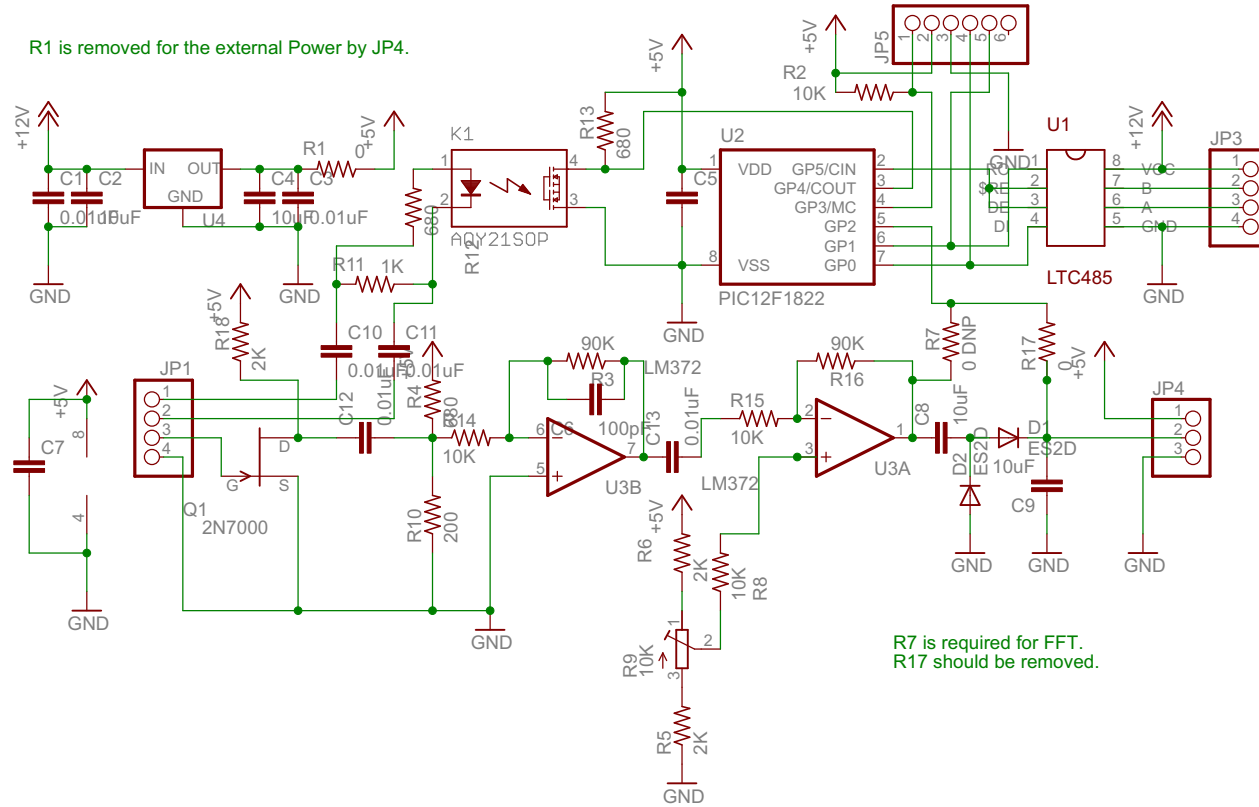


R1 is removed for the external Power by JP4.



R7 is required for FFT.
R17 should be removed.